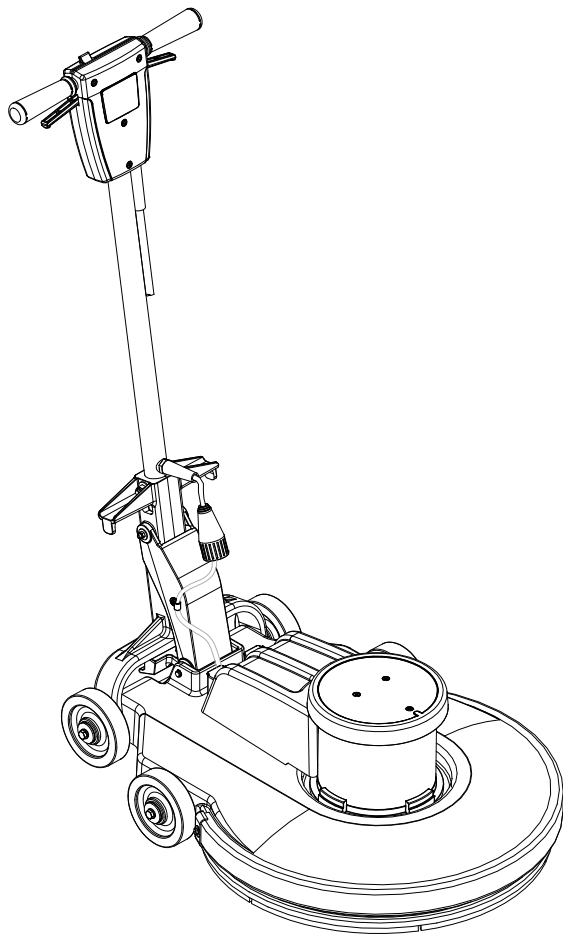


# HIGH SPEED BURNISHER



## MODELS:

<b>LB2000I</b>	<b>LB2000IA</b>	<b>UB2000F</b>	<b>LB2000</b>
10090200	10090210	10090620	10090190



---

Operating Instructions (ENG)



86309600-B

01/29/09

## **MACHINE DATA LOG/OVERVIEW**

Model:	_____
Date of Purchase:	_____
Serial Number:	_____
Sales Representative:	_____
Address:	_____
Phone Number:	_____

### **OVERVIEW**

The High Speed Burnisher is a mains powered, portable floor burnisher intended for commercial use. The appliance can be fitted with a variety of pads to perform various floor care functions. The appliance employs active dust control, and automatically adjusted pad pressure.

# TABLE OF CONTENTS

<i>Machine Data Log/Overview</i> .....	2
<i>Table of Contents</i> .....	3

## HOW TO USE THIS MANUAL

<i>How to use this Manual</i> .....	1-1
-------------------------------------	-----

## SAFETY

<i>Important Safety Instructions</i> .....	2-1
<i>Hazard Intensity Level</i> .....	2-2
<i>Grounding Instructions</i> .....	2-3

## OPERATION

<i>Technical Specifications</i> .....	3-1
<i>Handle Installation</i> .....	3-2
<i>Operation</i> .....	3-3
<i>Pad Driver Installation</i> .....	3-3

## MAINTENANCE

<i>Machine Troubleshooting</i> .....	4-1
<i>Wiring Diagram/Service Schedule</i> .....	4-2

## GROUP PARTS LIST

<i>Deck Group</i> .....	5-1
<i>Electrical</i> .....	5-3
<i>Handle-Lower</i> .....	5-5
<i>Handle-Upper</i> .....	5-7
<i>Motor</i> .....	5-9
<i>Pad/driver</i> .....	5-11
<i>Wiring-120V</i> .....	5-13
<i>Wiring-230V</i> .....	5-14
<i>Suggested Spare Parts</i> .....	5-15

# HOW TO USE THIS MANUAL

This manual contains the following sections:

- HOW TO USE THIS MANUAL
- SAFETY
- OPERATIONS
- MAINTENANCE
- PARTS LIST

The HOW TO USE THIS MANUAL section will tell you how to find important information for ordering correct repair parts.

Parts may be ordered from authorized dealers. When placing an order for parts, the machine model and machine serial number are important. Refer to the MACHINE DATA box which is filled out during the installation of your machine. The MACHINE DATA box is located on the inside of the front cover of this manual.

Model:	_____
Date of Purchase:	_____
Serial Number:	_____
Sales Representative:	_____
Address:	_____
Phone Number:	_____

The SAFETY section contains important information regarding hazard or unsafe practices of the machine. Levels of hazards are identified that could result in product or personal injury, or severe injury resulting in death.

The OPERATIONS section is to familiarize the operator with the operation and function of the machine.

The MAINTENANCE section contains preventive maintenance to keep the machine and its components in good working condition. They are listed in this general order:

The PARTS LIST section contains assembled parts illustrations and corresponding parts list. The parts lists include a number of columns of information:

- **REF** – column refers to the reference number on the parts illustration.
- **PART NO.** – column lists the part number for the part.
- **PRV NO.** - Reference No.
- **QTY** – column lists the quantity of the part used in that area of the machine.
- **DESCRIPTION** – column is a brief description of the part.
- **SERIAL NO. FROM** – If this column has an (\*) and a Reference number, see the SERIAL NUMBERS page in the back of your manual. If column has two asterisk (\*\*), call manufacturer for serial number. The serial number indicates the first machine the part number is applicable to. The main illustration shows the most current design of the machine. When a boxed illustration is shown, it displays the older design.
- **NOTES** – column for information not noted by the other columns.

**NOTE:** If a service or option kit is installed on your machine, be sure to keep the KIT INSTRUCTIONS which came with the kit. It contains replacement parts numbers needed for ordering future parts.

**NOTE:** The number on the lower left corner of the front cover is the part number for this manual.

## IMPORTANT SAFETY INSTRUCTIONS

**When using an electrical appliance, basic precaution must always be followed, including the following:**

**READ ALL INSTRUCTIONS BEFORE USING THIS MACHINE.**

**⚠ WARNING:** To reduce the risk of fire, electric shock, or injury:

**Use only** indoors. Do not use outdoors or expose to rain.

**Use only** as described in this manual. Use only manufacturer's recommended components and attachments.

If the machine is **not working properly**, has been dropped, damaged, left outdoors, or dropped into water, return it to an authorized service center.

**Do not** operate the machine with any openings blocked. Keep openings free of debris that may reduce airflow.

**Machine can cause a fire** when operating near flammable vapors or materials. Do not operate this machine near flammable fluids, dust or vapors.

**This machine is suitable for commercial use, for example in hotels, schools, hospitals, factories, shops and offices for more than normal housekeeping purposes.**

Maintenance and repairs **must be done** by qualified personnel.

**During operation**, attention shall be paid to other persons, especially children.

**The machine shall only** be operated by instructed and authorized persons.

**When leaving unattended**, unplug the machine.

**Do not** handle the plug or machine with wet hands.

**Do not** unplug machine by pulling on cord. To unplug, grasp the plug, not the cord.

**Do not** use with damaged cord or plug. Follow all instructions in this manual concerning grounding the machine.

**Do not** pull or carry by cord, use cord as a handle, close a door on cord, or pull cord around sharp edges or corners.

**Do not** pull/run machine over cord. **Keep** cord away from heated surfaces.

Connect to a **properly** grounded outlet. See Grounding Instructions.

If the supply cord is damaged it must be replaced by a special cord from an authorized service agent.

Unplug before cleaning or servicing.

Operational hazard may occur when running the machine over the supply cord.

This appliance has been designed for use with pads specified by the manufacturer. The fitting of other pads may affect its safety.

This machine is for dry use only and shall not be used or stored outdoors in wet conditions.

## SAVE THESE INSTRUCTIONS

## **SAFETY**

The following symbols are used throughout this guide as indicated in their descriptions:

### **HAZARD INTENSITY LEVEL**

There are three levels of hazard intensity identified by signal words -**WARNING** and **CAUTION** and **FOR SAFETY**. The level of hazard intensity is determined by the following definitions:

#### **⚠ WARNING:**

**WARNING** - Hazards or unsafe practices, which COULD result in severe personal injury or death.

#### **⚠ CAUTION:**

**CAUTION** - Hazards or unsafe practices, which could result in minor personal injury or product or property damage.

#### ***FOR SAFETY: To Identify actions which must be followed for safe operation of equipment.***

Report machine damage or faulty operation immediately. Do not use the machine if it is not in proper operating condition. Following is information that signals some potentially dangerous conditions to the operator or the equipment. Read this information carefully. Know when these conditions can exist. Locate all safety devices on the machine. Please take the necessary steps to train the machine operating personnel.

#### ***FOR SAFETY:***

**DO NOT OPERATE MACHINE:**

Unless Trained and Authorized.

Unless Operation Guide is Read and understood.

In Flammable or Explosive areas.

In areas with possible falling objects.

#### ***WHEN SERVICING MACHINE:***

**Avoid moving parts. Do not wear loose clothing; jackets, shirts, or sleeves when working on the machine. Use approved replacement parts.**

## GROUNDING INSTRUCTIONS-120V

*THIS PRODUCT IS FOR COMMERCIAL USE ONLY.*

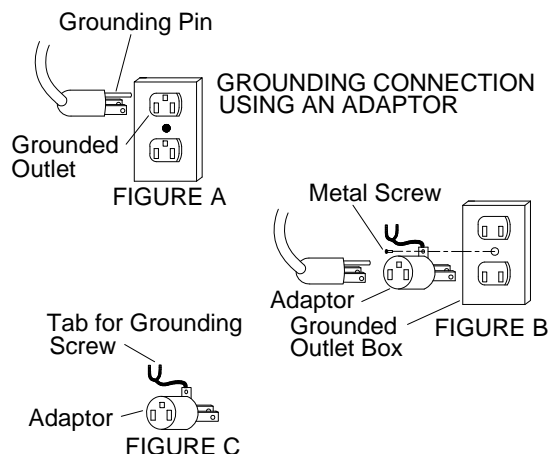
### ELECTRICAL:

In the USA this machine operates on a one 15 amp nominal 120V, 60 hz, A.C. power circuit. The amp, hertz, and voltage are listed on the data label found on each machine. Using voltages above or below those indicated on the data label will cause serious damage to the motors.

### GROUNDING INSTRUCTIONS:

This appliance must be grounded. If it should malfunction or break down, grounding provides a path of least resistance for electric current to reduce the risk of electric shock. This appliance is equipped with a cord having an equipment-grounding conductor and grounding plug. The plug must be inserted into an appropriate outlet that is properly installed and grounded in accordance with all local codes and ordinances.

This appliance is for use on a nominal 120-volt circuit, and has a grounded plug that looks like the plug in "Fig. A". A temporary adaptor that looks like the adaptor in "Fig. C" may be used to connect this plug to a 2-pole receptacle as shown in "Fig. B", if a properly grounded outlet is not available. The temporary adaptor should be used only until a properly grounded outlet (Fig. A) can be installed by a qualified electrician. The green colored rigid ear, lug, or the like extending from the adaptor must be connected to a permanent ground such as a properly grounded outlet box cover. Whenever the adaptor is used, it must be held in place by a metal screw.



Note: Adaptors are not allowed in Canada.

### **⚠ WARNING:**

**Improper connection of the equipment-grounding conductor can result in a risk of electric shock. Check with a qualified electrician or service person if you are in doubt as to whether the outlet is properly grounded. Do not modify the plug provided with the appliance - if it will not fit the outlet, have a proper outlet installed by a qualified electrician.**

# **SAFETY**

## **GROUNDING INSTRUCTIONS-230V**

***THIS PRODUCT IS FOR COMMERCIAL USE ONLY.***

### ***ELECTRICAL:***

The amp, hertz, and voltage are listed on the data label found on each machine. Using voltages above or below those indicated on the data label will cause serious damage to the motors.

### ***EXTENSION CORDS:***

If an extension cord is used, the wire size must be at least one size larger than the power cord on the machine, and must be limited to 50 feet (15.5m) in length.

### ***GROUNDING INSTRUCTIONS:***

This appliance must be grounded. If it should malfunction or break down, grounding provides a path of least resistance for electric current to reduce the risk of electric shock. This appliance is equipped with a cord having an equipment-grounding conductor and grounding plug. The plug must be inserted into an appropriate outlet that is properly installed and grounded in accordance with all local codes and ordinances.

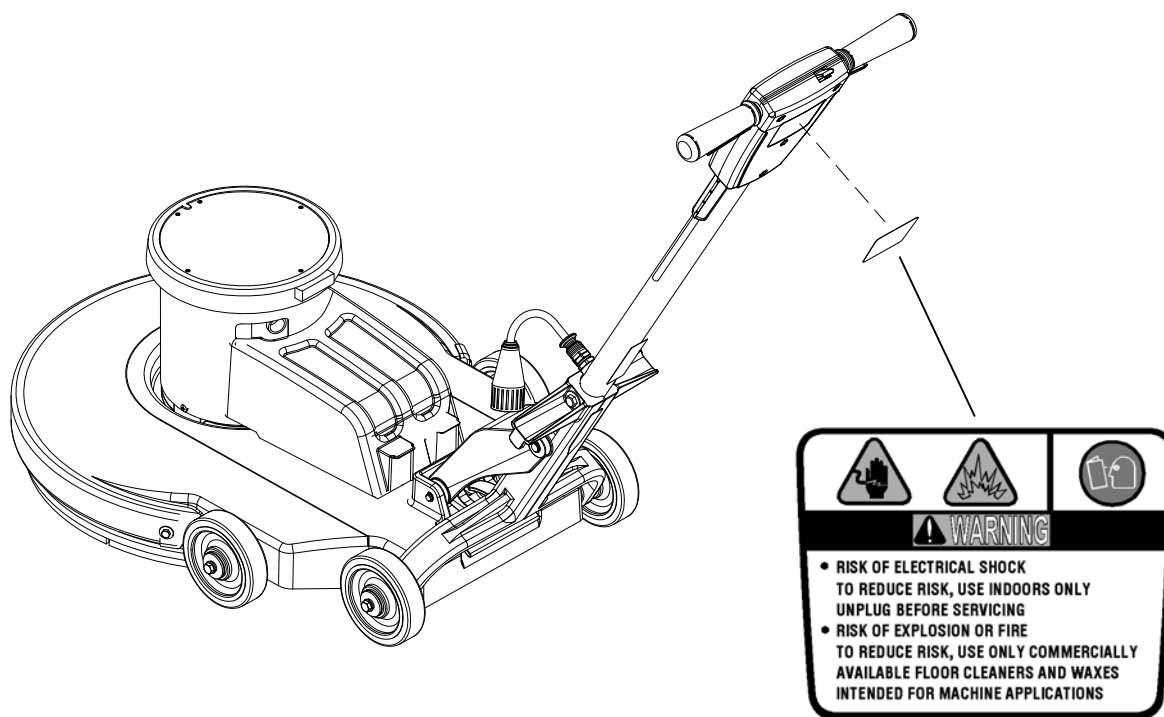
## ****WARNING:****

***Improper connection of the equipment-grounding conductor can result in a risk of electric shock. Check with a qualified electrician or service person if you are in doubt as to whether the outlet is properly grounded. Do not modify the plug provided with the appliance - if it will not fit the outlet, have a proper outlet installed by a qualified electrician.***



## SAFETY LABEL LOCATION

**NOTE:** These drawings indicate the location of safety labels on the Machine. If, at any time, the labels become illegible contact your authorized representative for prompt replacement.



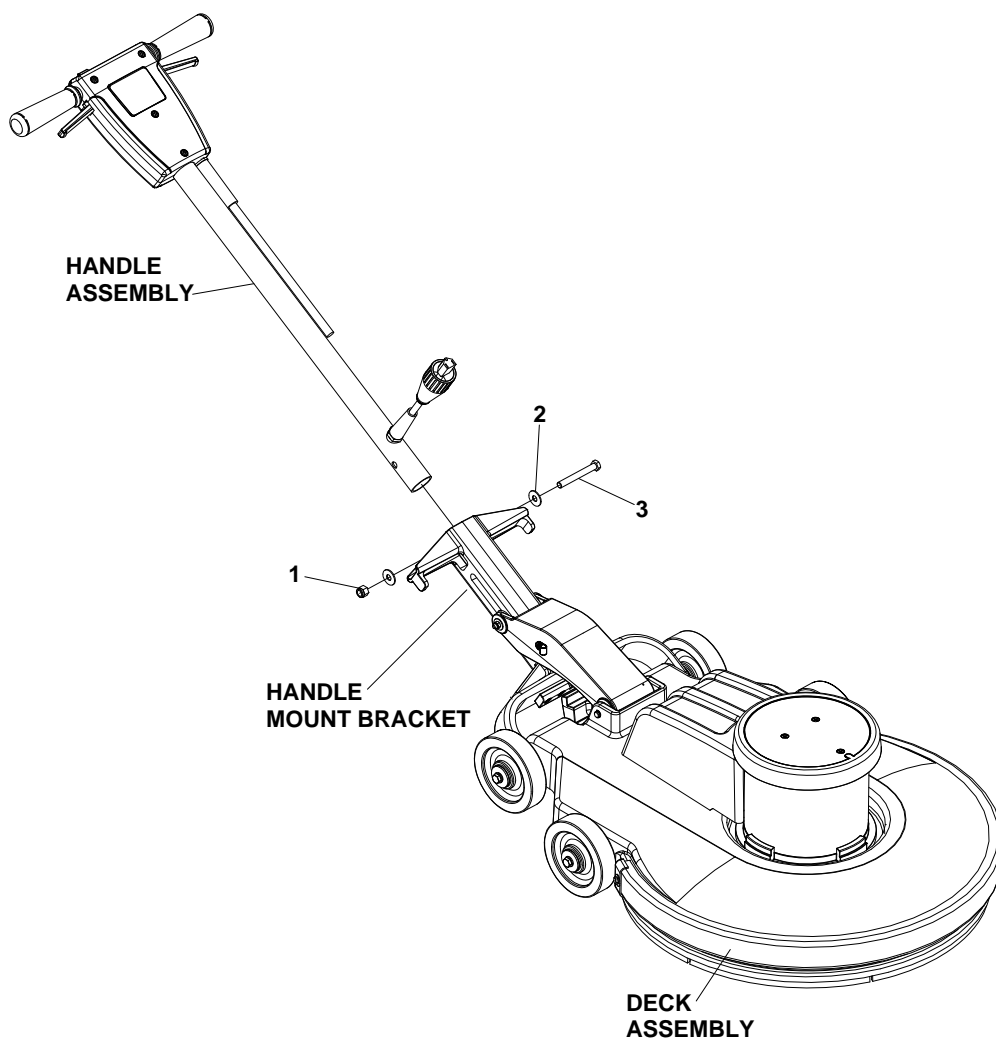
WARNING LABEL  
P/N 86219740  
PRV NO. 500194

## TECHNICAL SPECIFICATIONS

ITEM	DIMENSION/CAPACITY
Construction	Heavy-duty die cast aluminum deck with heavy-duty rubber bumper, tubular steel self adjusting handle with die cast aluminum handle housing.
Motor	1.5 hp
Transmission	Direct drive from motor shaft.
Pad speed	2000 rpm
Electrical system:	
LB2000I, LB2000IA	230 volts, 50Hz
LB2000, UB2000F	115 volts, 60Hz
Cable	75' [22.9 m]
Switches	Dual levers with safety lock.
Pad Holder	Ø20" [50.8 cm] flexible disc
Wheels	Four Ø5" [Ø12.7 cm], 1.25" [3.2 cm] wide, non-marking tread.
Handle	Ø1.5" [Ø3.8 cm] tubular steel, self adjusting handle consistently maintains full contact with the floor, and easy to use thumb activated safety lock.
Dimensions (L x W x H)	32" [81.3 cm] X 23.9" [60.2 cm] X 48.4" [122.9 cm]
Pad size (See note)	20" diameter x 1" thick

NOTE: Always use a pad, which has been designed for electric ultra high speed burnishing of at least 2000 rpm.

The sound pressure level at the operator's ear was measured to be 70 dBA. This was a nearfield, broad-band measurement taken in a typical industrial environment on a tile floor. This appliance contains no possible source of impact noise. The instantaneous sound pressure level is below 63 Pa.



## HANDLE INSTALLATION

The machine is shipped with handle unassembled.

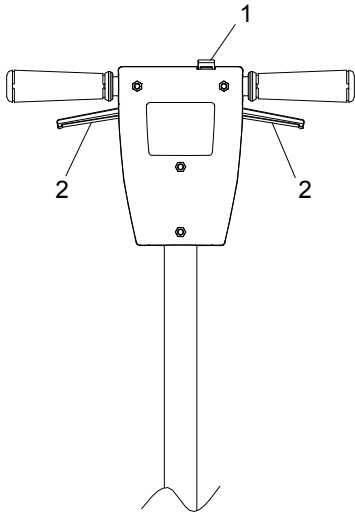
Follow these steps for installation:

1. Remove handle and deck assembly from carton.
2. Remove bolt (item 3), washers (item 2), and nut (item 1) from deck assembly.
3. Install Handle Assembly as shown.
4. Slide Bolt (item 3) through, washers (item 2), Handle Mount Brackets and Handle Assembly as shown. Tighten bolt (item 3) and nut (item 1) until the handle cannot twist in the mount bracket (45-50 foot pounds).
5. Check handle for movement up and down.
6. Plug cord into handle cord receptacle.

# OPERATION

## CONTROLS

1. **Safety Lock** – Prevents unintended operation of the machine.
2. **Switch Levers** – Turns machine on/off.



6. To stop the machine, release the switch levers.
7. Do not let machine rest on pad. When finished with the machine, return handle to the storage position.

*NOTE: The machine is equipped with a circuit breaker to protect the motor in the event an overload condition occurs. The circuit breaker is located on the handle. Push the reset button to restart the machine. If the breaker trips again, correct the cause of overloading before proceeding.*

## DAILY MAINTENANCE

1. Inspect power cord for wear. To prevent electrical shock replace cords with frayed or cracked insulation immediately.
2. Place machine in the storage position.
3. Check pad condition. Change if soiled or torn.

## PAD INSTALLATION

1. Lay machine back, exposing the under side.
2. Remove center lock by turning counter-clockwise.
3. Ensure pad is centered on pad driver. Pull pad to edge of pad driver in several directions to check for proper engagement.
4. Replace center lock by turning clockwise firmly compressing the center of the pad.

## OPERATION

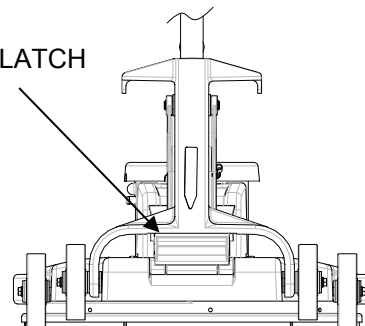
**CAUTION:**  
For indoor use only.

**WARNING:**  
When using the pad, always keep the machine moving when in contact with the floor.

**WARNING:**  
High starting torque. Hold machine firmly with both hands.

1. Ensure that the pad driver is in good shape. Install or change pad if necessary.
2. Plug the machine into a wall outlet as described in the grounding instructions.
3. Release latch, lower the handle and move into position.
4. Push the safety lock forward, unlocking the switch levers.
5. With the safety lock forward, squeeze one or both of the switch levers, turning the machine on. (These levers can be operated independently of each other). The safety lock will not re-engage until both levers are released.

HANDLE  
RELEASE LATCH



**MACHINE TROUBLESHOOTING**

<b>PROBLEM</b>	<b>CAUSE</b>	<b>SOLUTION</b>
Machine will not run	Tripped circuit breaker	Reset
	Circuit breaker tripped in building.	Check and reset
	Fuse in motor is blown	Replace CAUTION: To reduce the risk of electrical shock, unplug the machine before opening fuse holder. Fuse will only open under extreme conditions. Investigate cause before replacing.
	Power switch failure	Test switch for continuity and replace if necessary.
	Faulty power cord	Replace
Electrical shock	Equipment not grounded	Follow grounding instructions exactly.
	Receptacle not grounded	Have an electrician inspect building's wiring.
	Internal wiring problem	Ensure that the machine wiring matches the appropriate wiring diagram. Replace any wires or components, which are short-circuiting.
Repeated circuit breaker tripping	Mechanical problem	Higher amp draws indicate a mechanical problem; find the problem before using the machine.
	Faulty circuit breaker	Test circuit for continuity. Replace circuit breaker if necessary.
Excessive vibration	Pad not centered	Re-center pad.
	Damaged or unevenly worn pad.	Replace pad. Do not rest machine on pad when not in use.
	Damaged pad driver.	Replace.

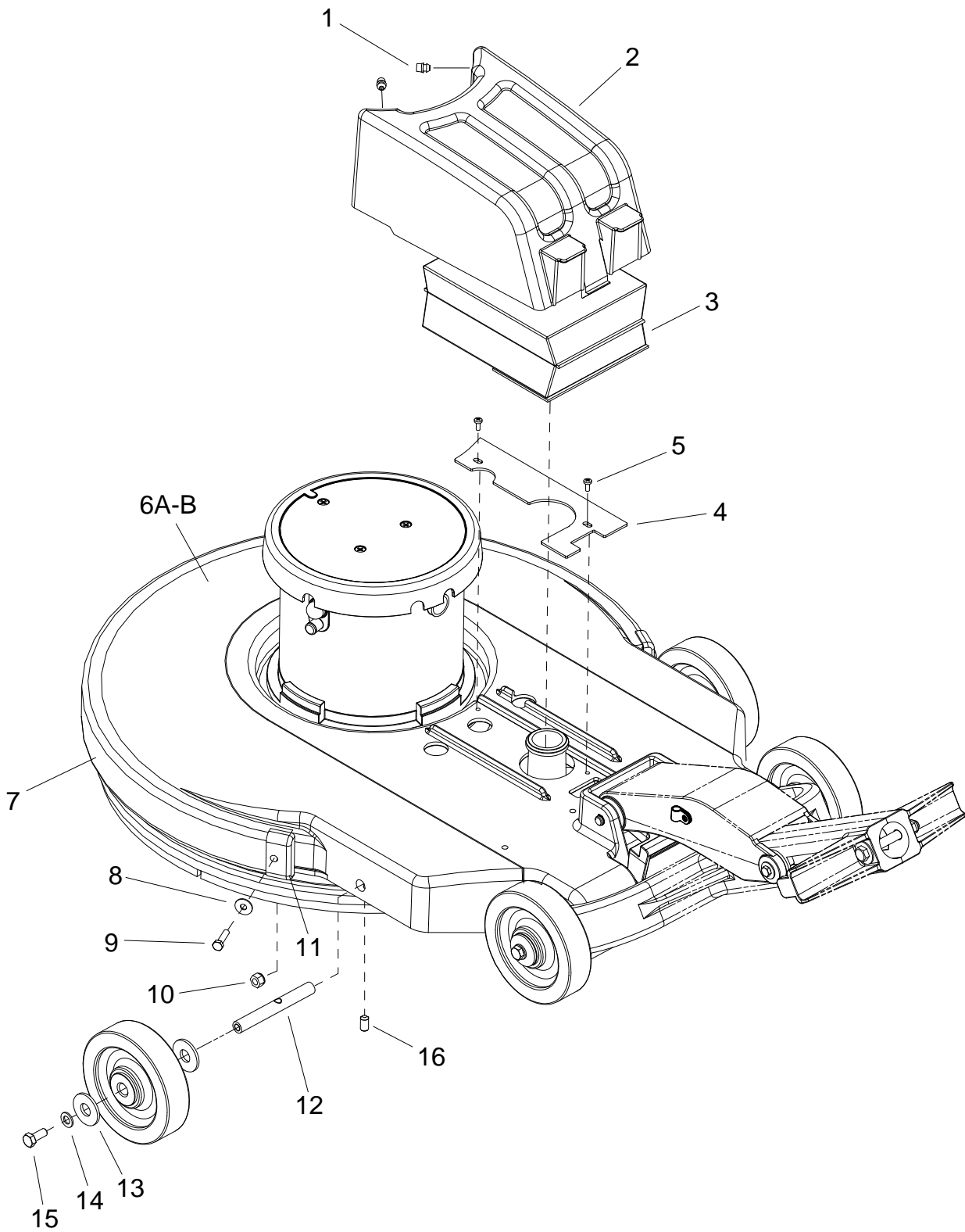
# **MAINTENANCE**

## **SERVICE SCHEDULE**

<b>MAINTENANCE</b>	<b>DAILY</b>	<b>MONTHLY</b>
Check pad wear to prevent buildup of chemicals	*	
Check pad driver system for damage	*	
Check handles, switches, and knobs for damage	*	
Store with pad off the floor	*	
Check all bearings for noise		*
Check skirt/bumpers for damage and replace as necessary		*
Check overall performance of machine		*

**NOTES:**

# DECK

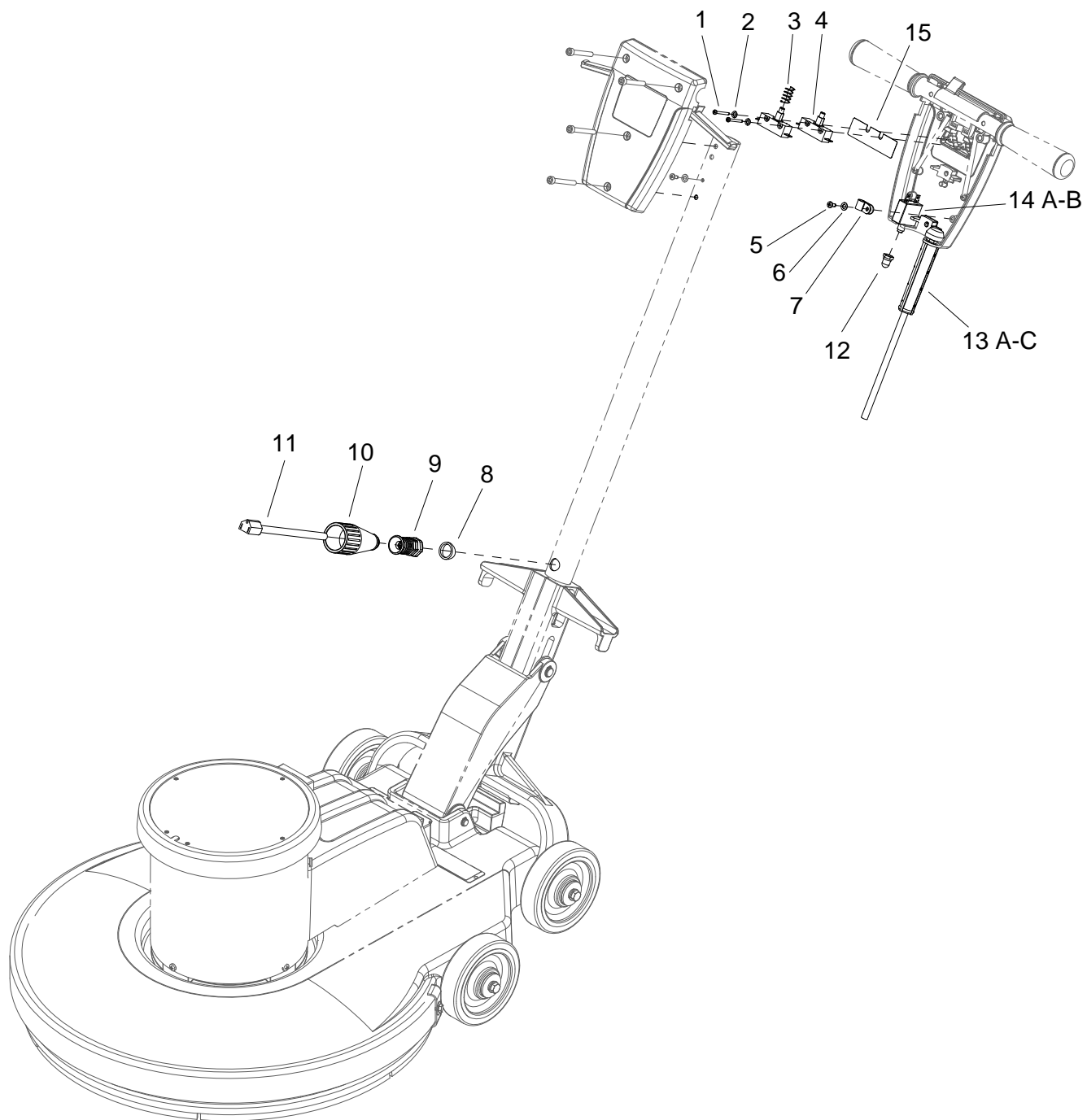




**DECK**

REF	PART NO.	PRV NO.	QTY	DESCRIPTION	SERIAL NO. FROM	NOTES:
1	86216280	140449	4	BUMPER, RUBBER		
2	86217520	27918	1	COVER, FILTER BAG		
3	86001390	140441	1	BAG, DUST (PACKAGE OF 10 BAGS)		
4	86223430	67463	1	RETAINER, CORD		
5	86276810	70738	2	SCR, M5 X .8MM X 10 MM PPHMS BLK		
6A	86217640	29244BLU	1	DECK, 20 IN BURNISHER, BLUE		LB2000, LB2000I, LB2000IA
6B	86289010	29244GRY	1	DECK, 20 IN BURNISHER, GRY		UB2000UF
7	86216270	140423	1	BUMPER, EXTRUSION		
8	86137340	87211	2	WASHER, M6 FLAT BLK		
9	86276570	70691	2	SCR, M6 X 25 HHMS		
10	86271550	57220	2	NUT, M6 X 1 HEX NYLOCK PLTD		
11	86216600	27871	2	CAP EXTRUSION		
12	86215020	05156	2	AXLE, FRONT		
13	86225720	87203	4	WASHER, 14MM ID X 36 MM OD		
14	86137280	87054	2	WASHER, M8 FLAT DIN125A PLT		
15	86136640	70262	2	SCR, M8-1.25 X 20 HHMS PLTD		
16	86288740	70709	2	SCR, SET M8 X 1.25 X 8MM CUP POINT		

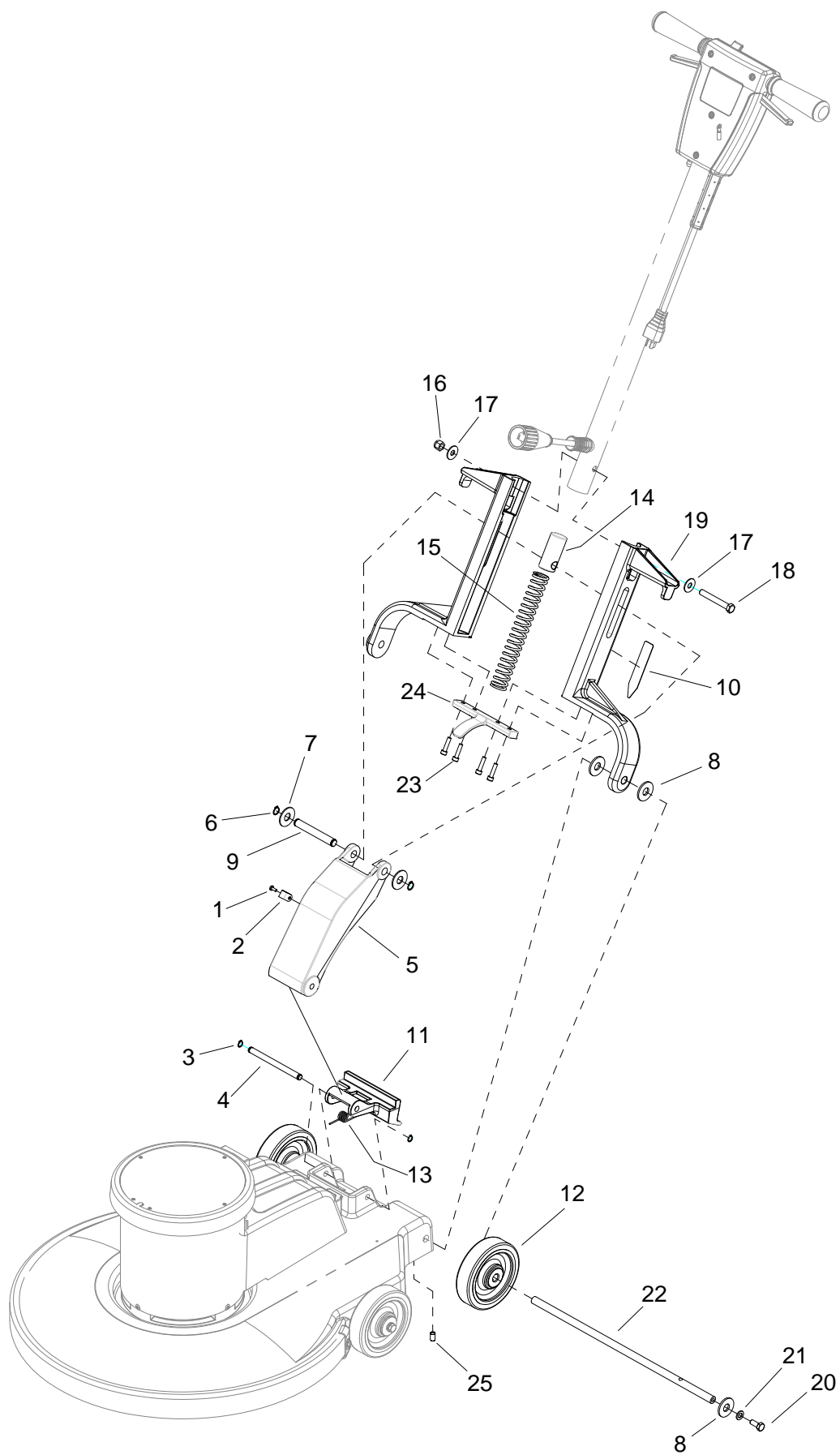
# ELECTRICAL



**ELECTRICAL**

REF	PART NO.	PRV NO.	QTY	DESCRIPTION	SERIAL NO. FROM	NOTES:
1	86136780	70801	2	SCR, M 3.5 X 40 PHTF TYPE B		
2	86137290	87057	2	WASHER, M4 SHAKEPROOF		
3	86224750	73993	1	SPRING, COMP, .48OD X .91L		
4	86007110	72123	2	SWITCH, 25A SPST 125-250V SNAP		
5	86288450	70689	1	SCR, M4.8 X 10 HHTF TYPE B		
6	86137330	87208	1	WASHER, M5 SHAKEPROOF PLTD		
7	86198450	20005	1	CLAMP, 5/16 NYLON		
8	86227300	730021	1	SPACER, POLISHER HANDLE		
9	86224930	730012	1	STRAIN RELIEF, 14/3 STRAIGHT		
10	86215430	14407	1	BOOT, CORD END		
11	86216940	23209	1	CORD SET, 14/3 X 38 IN,SJT, BLK		
12	86002010	14942	1	BOOT, 3/8 CIRCUIT BREAKER		
13A	86234140	23154	1	CORD SET, 14/3 ST C 75' YLW		LB2000, UB2000F
13B	86216950	23212	1	CORD SET, EURO 1.5MM X 75 BLK		LB2000I
13C	86216970	23217	1	CORD SET, SAA/3 1.5MM X 75		LB2000IA
14A	86312460	-	1	BREAKER, 14A, VDE CIRCUIT		LB2000, UB2000F
14B	86291460	-	1	BREAKER, 11A, VDE CIRCUIT		LB2000I, LB2000IA
15	86215140	140674	1	BARRIER SHEET		

# HANDLE-LOWER



**HANDLE-LOWER**

REF	PART NO.	PRV NO.	QTY	DESCRIPTION	SERIAL NO.	NOTES:
1	86276810	70738	1	SCR, M5 X .8MM X 10 MM PPHMS BLK		
2	86198450	20005	1	CLAMP, 5/16 NYLON		
3	86223490	67468	2	RING, 10MM EXT SNAP, DIN 471		
4	86222570	66340	1	PIN, DOWEL 10MM DIA X 124 MM LG		
5	86215480	140421	1	BRACKET, HANDLE LINK		
6	86223500	67469	2	RING, 13MM EXTERNAL SNAP		
7	86288760	87234	2	WASHER, 14MM ID X 36MM OD X 2MM		
8	86225720	87203	6	WASHER, 14MM ID X 36 MM OD		
9	86224310	730052	1	SPACER, LINKAGE		
10	86288770	500542	1	LABEL, HANDLE RELEASE		
11	86221720	51358	1	LATCH, HANDLE		
12	86226020	89206	2	WHEEL, 5D X 1.25 X 13MM ID GRY		
13	86224590	730055	1	SPRING, 180 DEGREE TORSION		
14	86215390	140420	1	BLOCK, SPRING COMPRESSION		
15	86224580	730054	1	SPRING, COMP 1.140 OD X 8.40 L X .150 W		
16	86005770	57119	1	NUT, 3/8-16 HEX NYLOCK		
17	86279510	87171	2	WASHER, 3/8 FLAT		
18	86274000	70069	1	SCR, 3/8-16 X 3 HHCS GR5		
19	86215470	140419	2	BRACKET, HANDLE MOUNT		
20	86136640	70262	2	SCR, M8-1.25 X 20 HHMS PLTD		
21	86137280	87054	2	WASHER, M8 FLAT DIN125A PLT		
22	86215030	05157	1	AXLE, REAR		
23	86223710	70733	4	SCR, M6 X 25 SHCS PLTD		
24	86225010	730053	1	STRIKER, LATCH		
25	86288740	70709	2	SET SCR, 8MMX1.25MM CUP PT		

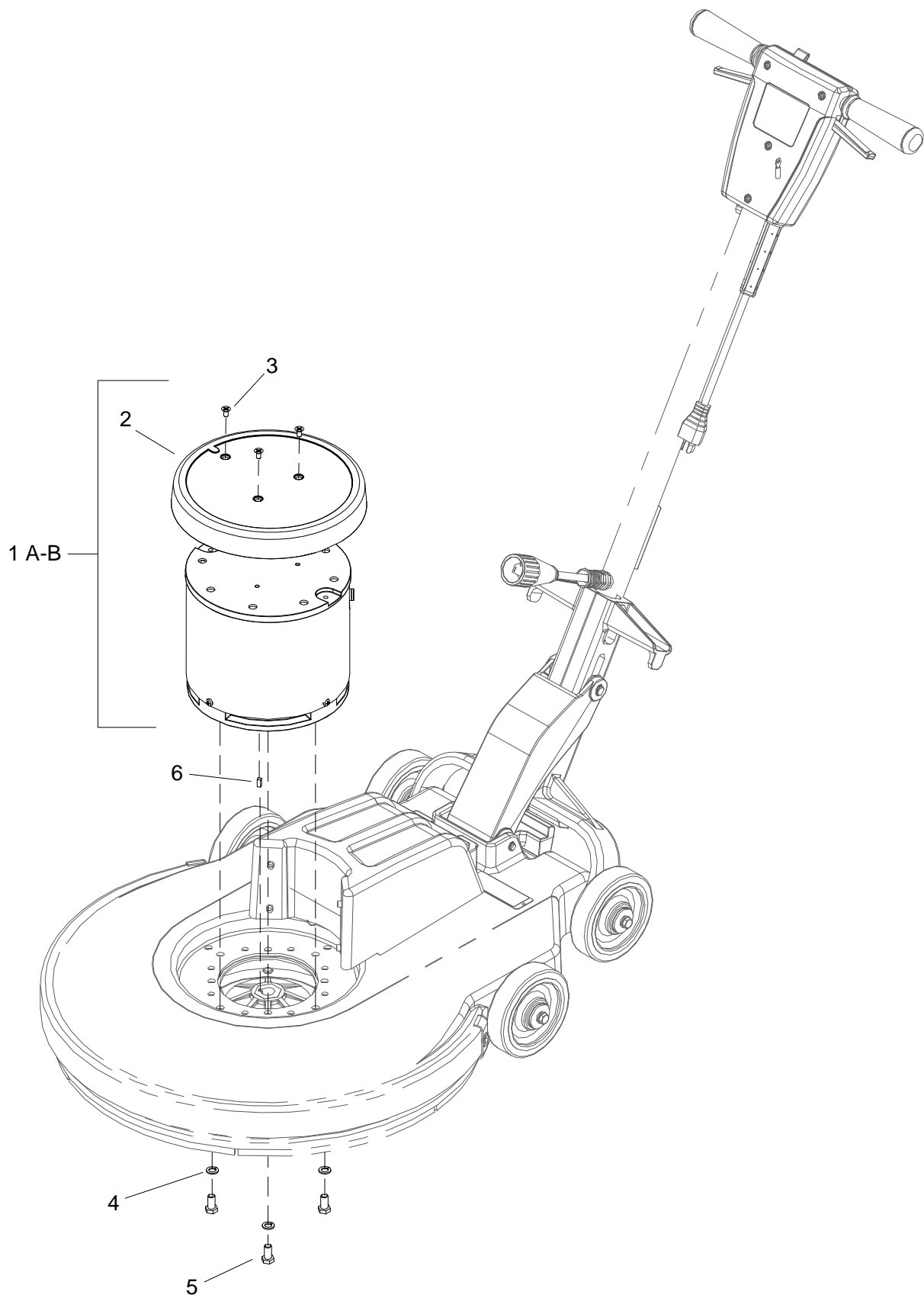
NOTE: Grease contact surfaces of Items 14 and 15 as necessary when servicing.



**HANDLE-UPPER**

REF	PART NO.	PRV NO.	QTY	DESCRIPTION	SERIAL NO.	NOTES:
1	86136670	70686	2	SCR, M6 X 45 SHCS BLK		
2	86136680	70687	2	SCR, M6 X 50 SHCS BLK		
3	86224740	73990	2	SPRING, EXT, .50D X 3.5L		
4	86225370	78437	1	TUBE, GRIP HANDLE		
5	86004070	36196	2	GRIP, POLISHER HANDLE		
6	86005160	51327	2	LEVER, SWITCH		
7	86136350	57274	4	NUT, M6 HEX FINISH		
8	86279080	87058	3	WASHER, M4 FLAT DIN125A PLT		
9	86311810	-	1	HOUSING, POLISHER HANDLE RR, CD		
10	86288450	70689	3	SCR, M4.8 X 10 HHTF TYPE B		
11	86225390	78473	1	TUBE, HANDLE		
12	86311820	-	1	HOUSING, POLISHER HANDLE FRT, CB		
13	86005150	51326	1	LOCK, SAFETY HANDLE		

# MOTOR





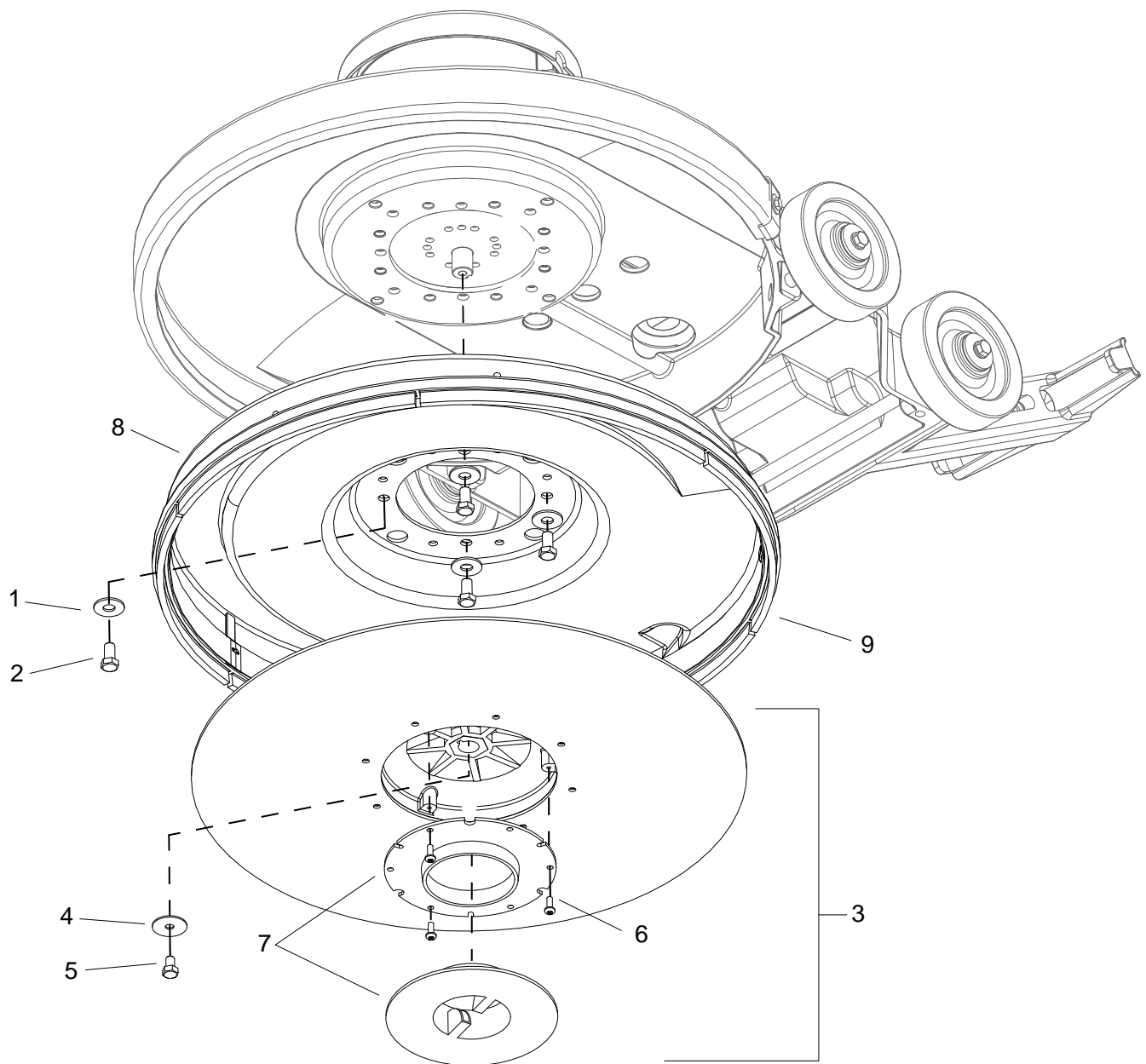
**MOTOR**

REF	PART NO.	PRV NO.	QTY	DESCRIPTION	SERIAL NO. FROM	NOTES:
1A	86312260	-	1	MOTOR, 115V 1.5HP 20000RPM		LB2000, UB20000F
1B	86312250	-	1	MOTOR, 230V 1.5HP 20000RPM		LB2000I, LB2000IA
2	86217490	27884	1	COVER, MOTOR 1.25HP		
3	86223690	70702	3	SCR, M5 X .8 X15MM BLK		
4	86010790	87163	4	WASHER, 3/8 SPLIT LOCK PLTD		
5	86006920	70507	4	SCR, 3/8-16 X 3/4 HHCS GR5 PLT		
6	86219610	48082	1	KEY, 3/16 SQ X .85 LG CRS		

## MOTOR COMPONENTS (NOT SHOWN)

PART NO.	PRV NO.	QTY	DESCRIPTION	SERIAL NO. FROM	NOTES:
86223460	67499	1	RECTIFIER, 50A 1000V BRIDGE		
86001720	140785	1	BRUSH SET (PKG OF 4)		
86003660	34378	1	FUSE		
86003670	34379	1	FUSE HOLDER		
86223980	09134	1	SEALED BALL BRNG, 25 MM X 52MM		BOTTOM MOTOR BEARING
86001020	09135	1	SEALED BALL BRNG, MOTOR		TOP MOTOR BEARING

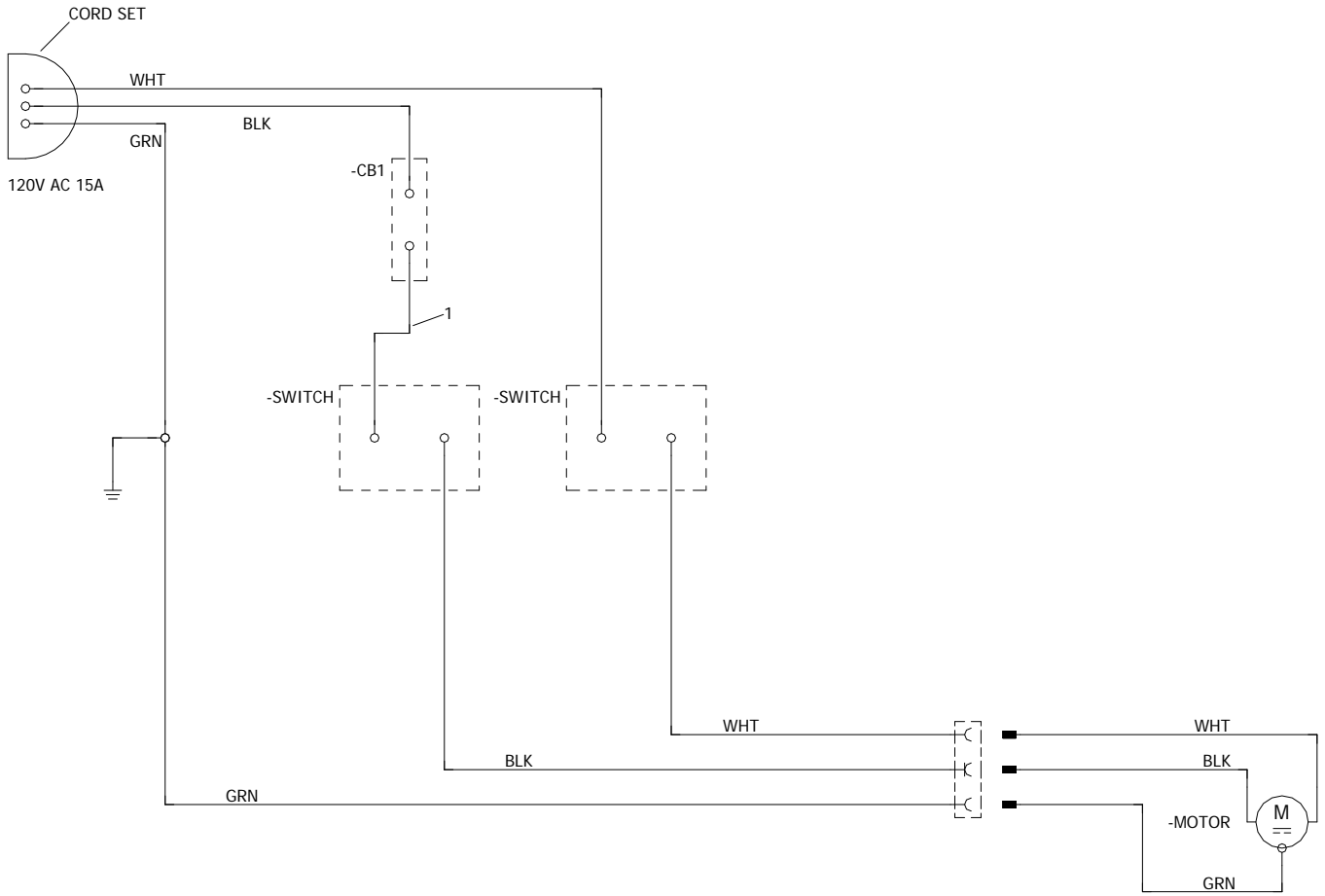
# PAD/DRIVER



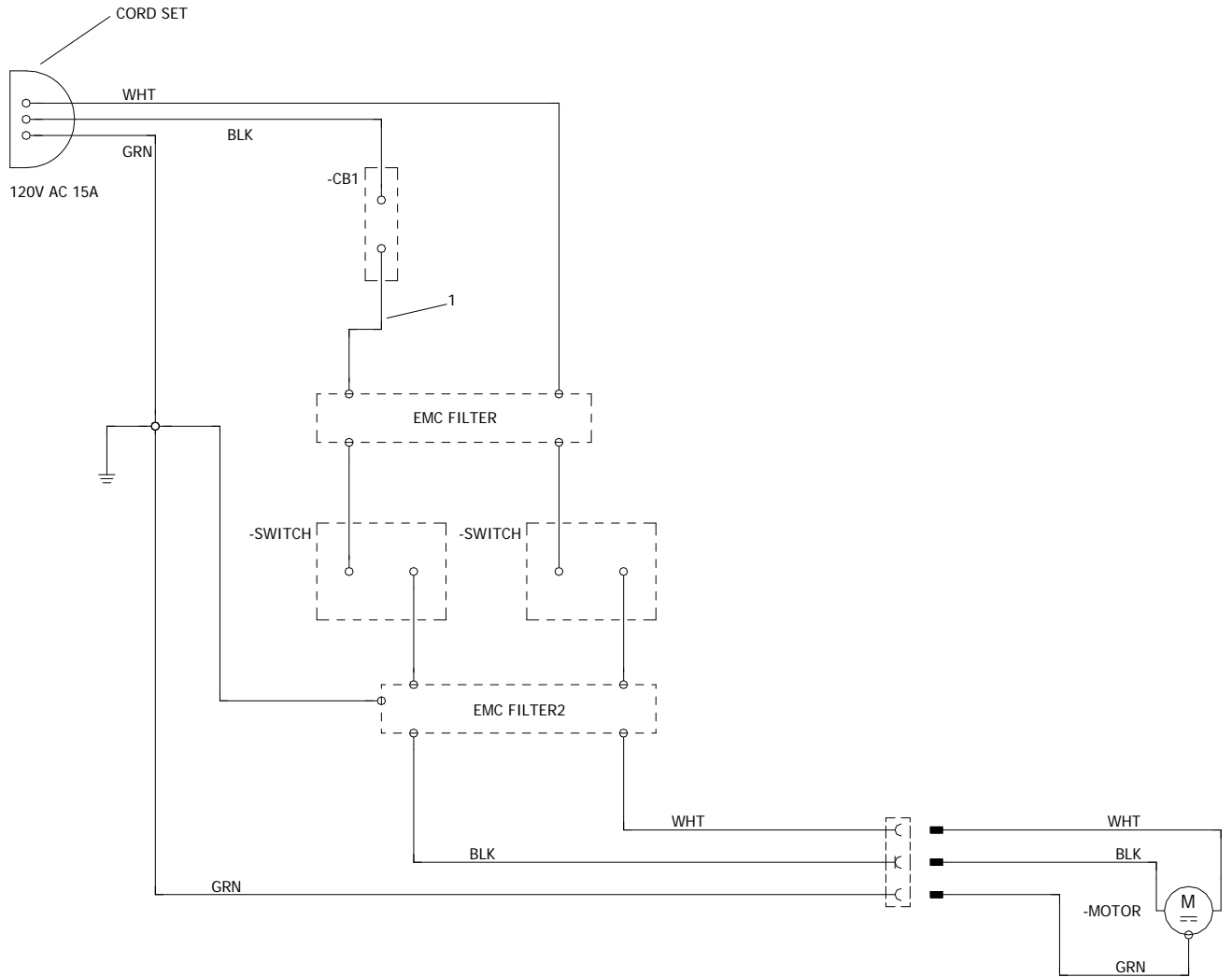
**PAD/DRIVER**

REF	PART NO.	PRV NO.	QTY	DESCRIPTION	SERIAL NO. FROM	NOTES:
1	86010720	87086	4	WASHER, M10 X 30 PLTD		
2	86006920	70507	4	SCR, 3/8-16 X 3/4 HHCS PLT		
3	86222470	64108	1	PAD DRIVER, 20 INCH BURNISHER		INCLUDES ITEMS 6 & 7
4	86279210	87102	1	WASHER, 5/16 ID X 1-1/4 OD		
5	86274590	70244	1	SCR, 5/16-24 X 1/2 HHMS SS		
6	86276740	70720	3	SCR, #10 X 3/8 PPHST TYPE B		
7	86246740	51353	1	LOCK, PAD DRIVER BLUE		
8	86223660	730065	1	SHROUD, ASM. 20 IN BURNISHER		INCLUDES ITEM 9
9	86216230	730074	1	BRUSH, STRIP (PACKAGE OF 6)		

# WIRING-120V



REF	PART NO.	PRV NO.	QTY	DESCRIPTION	SERIAL NO. FROM	NOTES:
1	86311830	-	1	WIRE, 125MM, BLK/14, 76029X76029		



REF	PART NO.	PRV NO.	QTY	DESCRIPTION	SERIAL NO. FROM	NOTES:
1	86311830	-	1	WIRE, 125MM, BLK/14, 76029X76029		

## SUGGESTED SPARE PARTS

PART NO.	PRV NO.	DESCRIPTION	SERIAL NO. FROM	NOTES:
86224740	73990	SPRING, EXT .50D X 3.5L		
86224750	73993	SPRING, COMP .48OD X .91L		
86007110	72123	SWITCH, 25A SPST 125-250V SNAP		
86312460	-	BREAKER, 14A, VDE CIRCUIT		120V
86291460	-	BREAKER, 11A, VDE CIRCUIT		230V
86223460	67499	RECTIFIER, 50A 1000V BRIDGE		
86003660	34378	FUSE		
86003670	34379	FUSE HOLDER		
86001020	09135	SEALED BALL BRNG, MOTOR		
86246740	51353	LOCK, PAD DRIVER BLUE		
86001390	140441	BAG, DUST (PACKAGE OF 10 BAGS)		
86215390	140420	BLOCK, SPRING COMPRESSION		
86216230	730074	BRUSH, STRIP (PACKAGE OF 6)		
86001820	14404	BRUSH SET		120V
86001720	140785	BRUSH SET (SET OF 4)		230V

